

# NOUL FORD FIESTA

Vizionar. Ingenios. Remarcabil.  
Fiecare masina poarta semnatura sa.

*Henry Ford*



Lista de preturi recomandate No. 01/2018, valabila incepand cu 01/01/2018, pana la noi modificari si inlocuiri  
[www.ford.ro](http://www.ford.ro)



Go Further

# TREND

## Benzina

		Lista de Preturi Recomandate (fara TVA)	Lista de Preturi Recomandate (cu TVA)
1.1 70 CP – M5	3 usi	€ 10,210	€ 12,150
1.1 70 CP – M5	5 usi	€ 10,630	€ 12,650
1.1 85 CP – M5	3 usi	€ 10,630	€ 12,650
1.1 85 CP – M5	5 usi	€ 11,050	€ 13,150
1.0 100CP Start&Stop M6	3 usi	€ 11,261	€ 13,400
1.0 100CP Start&Stop M6	5 usi	€ 11,681	€ 13,900
1.0 100CP - A6	3 usi	€ 12,311	€ 14,650
1.0 100CP - A6	5 usi	€ 12,731	€ 15,150

## Diesel

1.5 TDCi 85 CP – M6	3 usi	€ 11,891	€ 14,150
1.5 TDCi 85 CP – M6	5 usi	€ 12,311	€ 14,650



# TITANIUM

## Benzina

		Lista de Preturi Recomandate (fara TVA)	Lista de Preturi Recomandate (cu TVA)
1.1 85 CP – M5	3 usi	€ 12,731	€ 15,150
1.1 85 CP – M5	5 usi	€ 13,151	€ 15,650
1.0 100CP Start&Stop M6	3 usi	€ 13,361	€ 15,900
1.0 100CP Start&Stop M6	5 usi	€ 13,782	€ 16,400
1.0 100CP - A6	3 usi	€ 14,412	€ 17,150
1.0 100CP - A6	5 usi	€ 14,832	€ 17,650
1.0 125CP Start&Stop M6	3 usi	€ 13,782	€ 16,400
1.0 125CP Start&Stop M6	5 usi	€ 14,202	€ 16,900

## Diesel

1.5 TDCi 85 CP – M6	3 usi	€ 13,992	€ 16,650
1.5 TDCi 85 CP – M6	5 usi	€ 14,412	€ 17,150
1.5 TDCi 120 CP Start& Stop M6	3 usi	€ 15,042	€ 17,900
1.5 TDCi 120 CP Start& Stop M6	5 usi	€ 15,462	€ 18,400





## ST LINE

		Lista de Preturi Recomandate (fara TVA )	Lista de Preturi Recomandate (cu TVA)
<b>Benzina</b>			
1.0 100 CP M6 Start Stop	3 usi	€ 13,992	€ 16,650
1.0 100 CP M6 Start Stop	5 usi	€14,412	€17,150
1.0 100 CP A6	3 usi	€15,042	€17,900
1.0 100 CP A6	5 usi	€15,462	€18,400
1.0 125 CP M6 Start Stop	3 usi	€14,412	€17,150
1.0 125 CP M6 Start Stop	5 usi	€14,832	€17,650
1.0 140 CP M6 Start Stop	3 usi	€14,832	€17,650
1.0 140 CP M6 Start Stop	5 usi	€15,252	€18,150
<b>Diesel</b>			
1.5 TDCi 120 CP M6 Start Stop	3 usi	€15,672	€18,650
1.5 TDCi 120 CP M6 Start Stop	5 usi	€16,092	€19,150



# DOTARI STANDARD

SAFE		TREND	TITANIUM	ST LINE
Airbag-uri frontale, laterale, cortina		S	S	S
Avertizare depasire banda		S	S	S
Discuri frana fata, tamburi spate		S	S	--
Discuri frana fata/ spate		--	--	S
ESP+HLA (include ABS, EBD, EBA-asistenta la franarea de urgenta)		S	S	S
Faruri ceata		--	S	S
Faruri halogen cu lumina de zi		S	--	S
Faruri halogen cu lumini de zi si LED		--	S	--
Inchidere centralizata cu telecomanda, inclusiv 2 chei pliabile		S	S	S
Stopuri cu LED		--	S	--
Tetiere spate (3)		S	S	S

SMART		TREND	TITANIUM	ST LINE
Aer conditionat manual		--	S	S
Computer de bord		S	S	S
Geamuri fata actionate electric (cu functie 1 touch up/down)		S	S	S
Geamuri spate actionate manual		S	S	S

Keyless Start	--	--	S
My Key®	S	S	S
Scaun sofer cu reglaj lombar	--	S	S
Scaun sofer reglabil pe 4 directii	S	S	S
Scaune fata confort, cu buzunare pe spatara	S	--	--
Scaune fata cu design sport	--	S	S
Suspensie sport	--	--	S

## GREEN



TREND

TITANIUM

ST LINE

Buton ECO (reduce turatia motorului si scade consumul)

S

S

S

## QUALITY



TREND

TITANIUM

ST LINE

Bara protectie fata in culoarea caroseriei

S

S

--

Bara protectie fata in culoarea caroseriei , design ST- Line

--

--

S

Bara protectie spate - partea superioara in culoarea caroseriei, partea inferioara neagra

S

S

--

Bara protectie spate , design ST- Line

--

--

S

Bancheta spate rabatabila 60/40	S	S	S
Consola centrala , inclusiv cotiera	--	S	--
Consola centrala cu spatiu depozitare ptr 2 pahare	S	S	S
Covorase fata	S	--	--
Covorase fata /spate	--	S	--
Covorase fata/spate cu design ST Line	--	--	S
Décor cromat exterior: geamuri, grila radiator	--	S	--
Grila radiator neagra	S	S	--
Grila radiator design ST Line	--	--	S
Jante otel 15" cu anvelope 195/ 60 R15	S	--	--
Jante aliaj 16" Sparkling Silver cu anvelope 195/ 55 R16	--	S	--
Jante aliaj 17" Rock Metallic cu anvelope 205/ 45 R17	--	--	S
Kit reparatie pana	S	S	S
Lumini ambientale de interior	--	S	--
Manere usi in culoarea caroseriei	S	S	S

Oglinzi exterioare electrice si incalzite, in culoarea caroseriei	S	S	S
Parasolare sofer si pasager (nu sunt iluminate)	S	--	S
Parasolare sofer si pasager cu oglinzi iluminate	--	S	--
Parbriz cu tenta verde	S	S	S
Pedale aluminiu	--	--	S
Praguri cu design ST Line	--	--	S
Pre-Echipare radio : cablaje, antena, 2 difuzoare	S	--	--
Radio SYNC III, cu ecran TFT touchscreen 6.5", 2xUSB, 6difuzoare	--	S	S
Schimbator de viteze si levier frana de mana imbracate in piele	--	S	--
Schimbator de viteze cu design unic ST Line, levier frana de mana imbracat in piele	--	--	S
Suport ochelari in consola centrala superioara	--	S	S
Torpedou iluminat	S	S	S
Volan 3 spite, imbracat in piele	--	S	--
Teava esapament cromata	--	--	S
Volan reglabil pe 2 directii (inaltime/ adancime)	S	S	S



# PACHETE OPTIONALE

	TREND	TITANIUM	ST LINE	Pret fara TVA	Pret cu TVA
<p><b>Pachet TREND</b></p> <p>Include aer conditionat manual, radio, SYNC III, Bluetooth, conexiune USB, display 6.5" cu sistem de asistenta in caz de urgenta (112),6 difuzoare, faruri ceata</p>	O	--	--	€ 1,975	€2,350
<p><b>Pachet TITANIUM</b></p> <p>Include aer conditionat automat (EATC), oglinzi electrice, rabatabile si incalzite cu sistem de semnalizare incorporat, geamuri fumurii, keyless entry + keyless start, geamuri spate actionate electric (numai ptr 5 usi), sistem navigatie SYNC III, display 8" touchscreen, 2 conexiuni USB, 7 difuzoare, functie mirroring – Smartphone</p>	--	O	--	€ 1,487	€ 1,770
<p><b>Pachet ST LINE</b></p> <p>Include: aer conditionat automat (EATC), geamuri fumurii Keyless entry, Window Pack 8: geamuri spate actionate electric(numai ptr 5 usi), sistem navigatie SYNCIII, 8" touchscreen, 2xUSB, 7 difuzoare, mirroring function – Smartphone, BLISS, sistem de avertizare la intersectarea cu traficul, camera video spate si senzori spate.</p>	--	--	O	€1,966	€2,340

# PACHETE OPTIONALE

	TREND	TITANIUM	ST LINE	Pret fara TVA	Pret cu TVA
<b>Pachet Confort 1a</b> include: scaune fata incalzite, volan incalzit, parbriz incalzit, duza stropitor incalzita (contine volan imbracat in piele)	O	O	O	€ 235	€ 280
<b>Comfort Pack 5 - Pachet Vizibilitate</b> include: senzori de ploaie, oglinda electrocroma	O	O	O	€84	€100
<b>Comfort Pack (Marketing Flex Pack 12)</b> include consola centrala , inclusiv cotiera, scaun pasager regalbil pe 4 directii, reglaj lombar scaune fata	O	--	O	€147	€175
<b>Driver Assistance Pack 7 (Exclusive Pack 2)</b> include: pilot automat	O	O	O	€168	€200
<b>Driver Assistance Pack 3</b> Sistem de recunoastere a semnelor de circulatie cu alerta sofer, faza lunga automata, TFT 4.2", limitator de viteza indisponibil pt ST line transmisie automata	O	O	O	€252	€300
<b>Driver Assistance Pack 4</b> Include: asistent precoliziune, indicator si alerta a distantei, cruise control cu limitator de viteza adaptiv, TFT 4,2" , pentru ST Line: nu este disponibil pt transmisie automata.	O	O	O	€420	€500

<b>Driver Assistance Pack 5</b>	O	O	O	€672	€800
include: Sistem de recunoastere a semnelor de circulatie (TSR), faza lunga automata, asistent Pre Coliziune cu avertizarea distantei, pilot automat adaptiv. (nu este disponibil ptr ST Line cutie automata)					

	TREND	TITANIUM	ST LINE	Pret fara TVA	Pret cu TVA
<b>Design Interior Pack 12 (Metal Grey)</b>	--	O	--	€ 588	€ 700
include: tapiterie partial pieleN (763C), cusaturi gri, décor interior Metal Grey , covorase - cusaturi Metal Grey "					
<b>Design Interior Pack 11 – Chrome Copper</b>	--	O	--	€ 126	€ 150
include decoruri interioare Chrome Copper - decoruri usi, oglinda retrovizoare interioara, cusaturi covorase Copper Chrome					
<b>Design Interior Pack 9: Red</b>	--	--	O	€126.05	€150

include: decoruri interioare de culoare rosie (duze aer conditionat, decoruri usi, oglinda retrovizoare interioara) , inclusiv cusaturi rosii pentru covorase

<b>Design Interior Pack 9a - Yellow</b> Include: decoruri interioare de culoare galbena (duze aer conditionat, decoruri usi, oglinda retrovizoare interioara- , inclusiv cusaturi galbene pentru covorase) , scaune sport , tapiterie partial piele de culoare gri	--	--	O	€588	€700
<b>Design Interior Pack 13: Full Red Pack</b> Include :decoruri interioare de culoare rosie - duze aer conditionat, decoruri usi, oglinda retrovizoare interioara- inclusiv cusaturi covorase rosii, scaune sport , tapiterie partial piele, volan si frana de mana imbracte in piele, cusaturi rosii (nu este disponibil cu motorizarea 1.0l EcoBoost 100CP A6)	--	--	O	€588	€700
<b>Design Interior Pack 15: Metal Grey</b> include: scaune sport , tapiterie partial piele, cusaturi Metal Grey, covorase cu detalii si cusaturi Metal Grey	--	--	O	€672	€800
<b>Pachet Design Exterior 16 - Negru</b> include plafon negru, oglinzi exterioare negre	O	O	O	€ 252	€ 300
<b>Pachet Design Exterior 17- Alb</b> include plafon alb, oglinzi exterioare albe	O	O	O	€ 252	€ 300
<b>Pachet Design Exterior 18 - Rosu</b> include plafon rosu, oglinzi exterioare rosii	O	O	O	€ 252	€ 300
<b>Pachet Design Exterior 23– Chrome Copper</b>	O	O	--	€ 252	€ 300

include plafon Chrome Copper, oglinzi exterioare Chrome Copper

**Pachet Design Exterior 24 – Bohai Bay Mint**

include plafon Bohai Bay Mint , oglinzi exterioare Bohai Bay Mint

O O -- € 252 € 300

## DOTARI OPTIONALE

	TREND	TITANIUM	ST LINE	Pret fara TVA	Pret cu TVA
Sistem avertizare unghi mort (BLISS)	O	O	O	€420	€500
Spoiler spate	--	--	O	€210	€250
Faruri halogen cu lumini de zi si LED, inclusiv stopuri cu LED	--	--	O	€168	€200
Faruri full led, inclusiv stopuri led	O	--	O	€756	€900
Faruri full led, inclusiv stopuri led	--	O	--	€588	€700
Camera video spate (include senzori de parcare spate)	--	O	O	€ 336	€ 400
Keyless entry + start	O	--	--	€ 336	€ 400
Senzori de parcare spate	O	O	O	€ 126	€ 150
Sistem automat de parcare: paralel si perpendiculara(include senzori de parcare fata/ spate)	O	O	--	€ 420	€ 500
Alarma perimetrica	O	O	O	€ 210	€ 250
Geamuri spate actionate electric	O	--	--	€ 168	€ 200



Volan in 3 spite imbracat in piele (standard ptr cutie automata)	O	--	--	€ 84	€ 100
Pachet Fumatori ( include bricheta si scrumiera)	O	O	O	€ 13	€ 15
Roata de rezerva 14" cu anvelopa 175/65 R 14 (nu in combinatie cu Plafon panoramic / Sistem B&O)	O	O	O	€ 84	€ 100
Covorase spate	O	--	--	€ 42	€ 50
Plafon panoramic cu deschidere (nu in combinatie cu Roata de rezerva)	O	O	O	€ 714	€ 850

## DOTARI OPTIONALE

	TREN D	TITANIUM	ST LINE	Pret fara TVA	Pret cu TVA
Jante aliaj 16" cu anvelope 195/ 55 R16	O	--	--	€ 672	€ 800
Jante aliaj 17" cu anvelope 205/ 45 R17	--	O	--	€ 336	€ 400
Jante aliaj 18" cu anvelope 205/ 40 R18	--	--	O	€420	€500
Sistem protectie usi	O	O	O	€ 84	€ 100
Sistem media SYNCIII, 8" touchscreen, 2xUSB, 8difuzoare (incl 1 subwoofer), sistem B&O Play (nu in combinatie cu Roata de rezerva)	--	O	O	€ 462	€ 550

Sistem. Navig, SYNCIII, 8" touchscreen, 2xUSB, 7difuzoare, mirroringfunction – Smartphone	O	--	--	€ 1,261	€ 1,500
Sistem. Navig, SYNCIII, 8" touchscreen, 2xUSB, 8difuzoare (incl 1 subwoofer), sistem B&O Play (nu in combinatie cu Roata de rezerva)	--	O	O	€ 756	€ 900
Sistem. Navig, SYNCIII, 8" touchscreen, 2xUSB, 8difuzoare (incl 1 subwoofer), sistem B&O Play(nu in combinatie cu Roata de rezerva)	O	--	--	€ 1,597	€1,900
CD Player extern (situat in torpedou)	O	O	O	€ 84	€ 100

## DOTARI OPTIONALE

	TREND	TITANIUM	ST LINE	Pret fara TVA	Pret cu TVA
Vopsea nemetalizata - Blazer Blue	S	S	S	€ 0	€ 0
Vopsea nemetalizata - Frozen White, Race Red	O	O	O	€ 210	€ 250

Vopsea metalizata - Shadow Black ,Magnetic, Moondust Silver, Blue Metallic	O	O	O	€ 378	€ 450
Vopsea metalizata speciala – Bohai Bay Mint, Chrome Copper	O	O	--	€ 462	€ 550
Vopsea metalizata premium - Blue Wave, Ruby Red	O	O	O	€ 546	€ 650

MEMO: S= Standard; P=Pachet; O= Optiune; -- = Nu este disponibil

Preturile afisate mai sus reprezinta preturile de lista recomandate in Euro. Costurile de transport pana la dealeri sunt incluse in preturile recomandate afisate mai sus. Taxa de inmatriculare nu este inclusa in pret. Informatiile legate de preturi, dotari si detalii tehnice sunt valide la momentul in care aceasta lista a fost realizata. Preturile si specificatiile vehiculelor se pot schimba fara nici o instiintare in prealabil din partea Ford Romania SA.



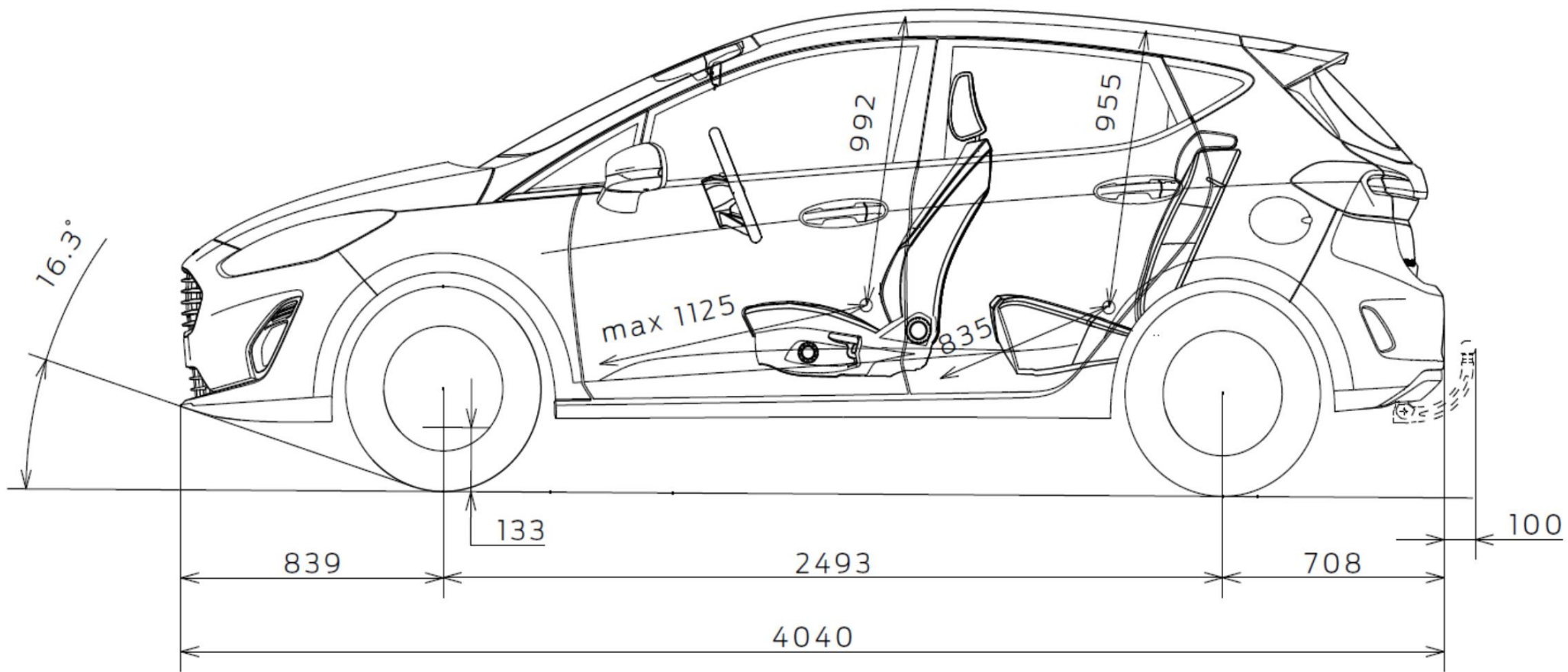


# DIMENSIUNI

Dimensiuni exterioare (mm)	
Ampatament	2493
Lungime totala	4040
Latime totala cu oglinzi nerabatate	1941
Latime totala cu oglinzi rabatate	1783
Inaltime totala (max) (mm)	1476
Raza de bracaj (m)	10.05

Capacitate portbagaj (litri)*	
Capacitate portbagaj - cu kit de pana	292
Capacitate portbagaj - cu roata de rezerva dimensiuni normale / sistem B&O	269
Capacitate rezervor (litri)	
Benzina/ Diesel	42

\*stabilite in concordanta cu ISO 3832. Dimensiunile pot varia in functie de model si echipamente.



# COMBUSTIBIL, PERFORMANTA SI EMISII

		Anvelope 195/60R15									Anvelope 195/55R16									Anvelope 205/45R17																										
		Jante 15"									Jante 16"									Jante 17"																										
3 USI		TREND									TREND&TITANIUM									TITANIUM SI VIGNALE									ST LINE									ACTIVE								
Petrol	EMISII	g CO2/km			l/100km			g CO2/km			l/100km			g CO2/km			l/100km			g CO2/km			l/100km			g CO2/km			l/100km																	
		URBAN	EXTRA URBAN	MIXT	URBAN	EXTRA URBAN	MIXT	URBAN	EXTRA URBAN	MIXT	URBAN	EXTRA URBAN	MIXT	URBAN	EXTRA URBAN	MIXT	URBAN	EXTRA URBAN	MIXT	URBAN	EXTRA URBAN	MIXT	URBAN	EXTRA URBAN	MIXT	URBAN	EXTRA URBAN	MIXT	URBAN	EXTRA URBAN	MIXT															
1.1l 70CP Start/Stop	5M 6.2	143	99	115	6.4	4.3	5.1	143	99	115	6.4	4.3	5.1																																	
1.1l 70CP - Start/Stop	5M 6.2	148	98	117	6.6	4.4	5.2	148	98	117	6.6	4.4	5.2																																	
1.1l 85CP - Start/Stop	5M 6.2	142	98	114	6.4	4.3	5.1	142	98	114	6.4	4.3	5.1	146	100	117	6.6	4.4	5.2	147	102	119	6.6	4.5	5.3																					
1.1l 85PCP - Start/Stop	5M 6.2	149	98	117	6.6	4.4	5.2	149	98	117	6.6	4.4	5.2	153	101	120	6.7	4.4	5.3	153	102	121	6.8	4.5	5.4																					
1.0l 85 CP Start/Stop	6M 6.2																																													
1.0l 100 CP	6M 6.2	130	93	107	5.7	4.1	4.7	130	93	107	5.7	4.1	4.7	131	94	108	5.8	4.2	4.7	131	95	108	5.8	4.2	4.8																					
1.0l 100 CP	6A 6.2	164	106	127	7.2	4.7	5.6	164	106	127	7.2	4.7	5.6	166	107	129	7.4	4.7	5.7	166	108	130	7.4	4.8	5.8																					
1.0l 125 CP	6M 6.2							130	93	107	5.7	4.1	4.7	131	94	108	5.8	4.2	4.7	131	95	108	5.8	4.2	4.8																					
1.0l 140 CP	6M 6.2													137	98	112	6	4.4	4.9	137	99	113	6.1	4.4	5																					
1.5l 200CP	6M 6.2																																													
Diesel		g CO2/km			l/100km			g CO2/km			l/100km			g CO2/km			l/100km			g CO2/km			l/100km			g CO2/km			l/100km																	
1.5l 85 CP - Start/Stop	6M 6.2	106	90	97	4.2	3.5	3.8	106	90	97	4.2	3.5	3.8	107	92	98	4.2	3.6	3.9	107	93	99	4.2	3.6	3.9																					
1.5l 85 CP FARA Start/Stop	6M 6.2	112	95	102	4.4	3.7	4	112	95	102	4.4	3.7	4	115	97	104	4.5	3.8	4.1	115	97	104	4.5	3.8	4.1																					
1.5l 120CP	6M 6.2	121	99	107	4.7	3.8	4.2	121	99	107	4.7	3.8	4.2	122	101	109	4.8	3.9	4.3	122	101	109	4.8	3.9	4.3																					
5USI		g CO2/km			l/100km			g CO2/km			l/100km			g CO2/km			l/100km			g CO2/km			l/100km			g CO2/km			l/100km																	
Petrol	EMISII	URBAN	EXTRA URBAN	MIXT	URBAN	EXTRA URBAN	MIXT	URBAN	EXTRA URBAN	MIXT	URBAN	EXTRA URBAN	MIXT	URBAN	EXTRA URBAN	MIXT	URBAN	EXTRA URBAN	MIXT	URBAN	EXTRA URBAN	MIXT	URBAN	EXTRA URBAN	MIXT	URBAN	EXTRA URBAN	MIXT	URBAN	EXTRA URBAN	MIXT															
1.1l 70 CP Start/Stop	5M 6.2	143	99	115	6.4	4.3	5.1	143	99	115	6.4	4.3	5.1																																	
1.1l 70 CP - Start/Stop	5M 6.2	148	98	117	6.6	4.4	5.2	148	98	117	6.6	4.4	5.2																																	
1.1l 85 CP - Start/Stop	5M 6.2	142	98	114	6.4	4.3	5.1	142	98	114	6.4	4.3	5.1	146	100	117	6.6	4.4	5.2	147	102	119	6.6	4.5	5.3																					
1.1l 85 CP - Start/Stop	5M 6.2	149	98	117	6.6	4.4	5.2	149	98	117	6.6	4.4	5.2	153	101	120	6.7	4.4	5.3	153	102	121	6.8	4.5	5.4																					
1.0l 85 CP - Start/Stop	6M 6.2																																													
1.0l 100cp	6M 6.2	134	96	110	5.9	4.2	4.9	134	96	110	5.9	4.2	4.9	135	97	111	5.9	4.3	4.9	135	98	112	5.9	4.3	4.9	135	101	114	5.9	4.4	5															
1.0l 100 CP	6A 6.2	164	106	127	7.2	4.7	5.6	164	106	127	7.2	4.7	5.6	166	107	129	7.4	4.7	5.7	166	108	130	7.4	4.8	5.8	175	117	139	7.8	5.2	6.1															
1.0l 125 CP	6M 6.2							134	96	110	5.9	4.2	4.9	135	97	111	5.9	4.3	4.9	135	98	112	5.9	4.3	4.9	135	101	114	5.9	4.4	5															
1.0l 140 CP	6M 6.2													141	101	116	6.3	4.5	5.1	142	102	117	6.3	4.5	5.1	142	105	119	6.3	4.6	5.2															
1.5l 200 CP	6M 6.2																																													
Diesel		g CO2/km			l/100km			g CO2/km			l/100km			g CO2/km			l/100km			g CO2/km			l/100km			g CO2/km			l/100km																	
1.5l 85 PS - with Start/Stop	6M 6.2	106	90	97	4.2	3.5	3.8	106	90	97	4.2	3.5	3.8	107	92	98	4.2	3.6	3.9	107	93	99	4.2	3.6	3.9	114	96	103	4.4	3.7	4															
1.5l 85PS FARA Start/Stop	6M 6.2	112	95	102	4.4	3.7	4	112	95	102	4.4	3.7	4	115	97	104	4.5	3.8	4.1	115	97	104	4.5	3.8	4.1	121	100	108	4.7	3.9	4.2															
1.5l 120PS	6M 6.2	121	99	107	4.7	3.8	4.2	121	99	107	4.7	3.8	4.2	122	101	109	4.8	3.9	4.3	122	101	109	4.8	3.9	4.3	123	105	112	4.8	4.1	4.4															

Lista de preturi recomandate No. 01/2018, valabila incepand cu 01/01/2018, pana la noi modificari si inlocuiri  
[www.ford.ro](http://www.ford.ro)



Go Further

		Anvelope 205/40R18																	
		Jante 18"																	
3 USI		ST LINE									VIGNALE						ST		
Petrol	EMISII	g CO2/km			l/100km			g CO2/km			l/100km			g CO2/km			l/100km		
		URBAN	EXTRA URBAN	MIXT	URBAN	EXTRA URBAN	MIXT	URBAN	EXTRA URBAN	MIXT	URBAN	EXTRA URBAN	MIXT	URBAN	EXTRA URBAN	MIXT	URBAN	EXTRA URBAN	MIXT
1.1l 70CP Start/Stop	5M 6.2																		
1.1l 70CP - Start/Stop	5M 6.2																		
1.1l 85CP - Start/Stop	5M 6.2	150	104	121	6.8	4.6	5.4												
1.1l 85PCP - Start/Stop	5M 6.2	153	102	121	6.8	4.5	5.4												
1.0l 85 CP Start/Stop	6M 6.2																		
1.0l 100 CP	6M 6.2	132	96	109	5.8	4.2	4.8	131	94	108	5.8	4.2	4.7						
1.0l 100 CP	6A 6.2	168	110	131	7.4	4.8	5.8	166	107	129	7.4	4.7	5.7						
1.0l 125 CP	6M 6.2	132	96	109	5.8	4.2	4.8	131	94	108	5.8	4.2	4.7						
1.0l 140 CP	6M 6.2	138	99	114	6.1	4.4	5	137	98	112	6	4.4	4.9						
1.5l 200CP	6M 6.2													171	116	136	7.6	5.1	6
Diesel		g CO2/km			l/100km			g CO2/km			l/100km			g CO2/km			l/100km		
1.5l 85 CP -Start/Stop	6M 6.2	108	94	100	4.2	3.7	4	107	92	98	4.2	3.6	3.9						
1.5l 85 CP FARA Start/Stop	6M 6.2	115	97	104	4.5	3.8	4.1	115	97	104	4.5	3.8	4.1						
1.5l 120CP	6M 6.2	124	103	111	4.8	4	4.4	122	101	109	4.8	3.9	4.3						
5USI																			
Petrol	EMISII	g CO2/km			l/100km			g CO2/km			l/100km			g CO2/km			l/100km		
		URBAN	EXTRA URBAN	MIXT	URBAN	EXTRA URBAN	MIXT	URBAN	EXTRA URBAN	MIXT	URBAN	EXTRA URBAN	MIXT	URBAN	EXTRA URBAN	MIXT	URBAN	EXTRA URBAN	MIXT
1.1l 70 CPStart/Stop	5M 6.2																		
1.1l 70 CP- Start/Stop	5M 6.2																		
1.1l 85 CP - Start/Stop	5M 6.2	150	104	121	6.8	4.6	5.4												
1.1l 85 CP -Start/Stop	5M 6.2	153	102	121	6.8	4.5	5.4												
1.0l 85 CP -Start/Stop	6M 6.2																		
1.0l 100cp	6M 6.2	135	99	113	5.9	4.4	5	135	97	111	5.9	4.3	4.9						
1.0l 100 CP	6A 6.2	168	110	131	7.4	4.8	5.8	166	107	129	7.4	4.7	5.7						
1.0l 125 CP	6M 6.2	135	99	113	5.9	4.4	5	135	97	111	5.9	4.3	4.9						
1.0l 140 CP	6M 6.2	143	103	118	6.3	4.6	5.2	141	101	116	6.3	4.5	5.1						
1.5l 200 CP	6M 6.2													171	116	136	7.6	5.1	6
Diesel		g CO2/km			l/100km			g CO2/km			l/100km			g CO2/km			l/100km		
1.5l 85 PS - with Start/Stop	6M 6.2	108	94	100	4.2	3.7	4	107	92	98	4.2	3.6	3.9						
1.5l 85PS FARA Start/Stop	6M 6.2	115	97	104	4.5	3.8	4.1	115	97	104	4.5	3.8	4.1						
1.5l 120PS	6M 6.2	124	103	111	4.8	4	4.4	122	101	109	4.8	3.9	4.3						

Începând cu data de 1 septembrie 2017, anumite vehicule noi vor fi omologate folosind Procedura de Testare a Vehiculelor Ușoare Armonizată la nivel Mondial (WLTP), care este o procedură de testare nouă, mai realistă pentru măsurarea consumului de combustibil și a emisiilor de CO2. De la 1 septembrie 2018, în ceea ce privește modelele noi de autovehicule, WLTP va înlocui integral Noul Ciclu de Conducere European (NEDC), care reprezintă procedura actuală de testare. Pe toată perioada retragerii treptate a autovehiculelor omologate NEDC, consumul de combustibil și emisiile de CO2 conform procedurii WLTP sunt corelate cu NEDC cum este și în cazul de față. Vor exista anumite variații ale valorilor anterioare pentru economia de combustibil și emisiile, deoarece anumite elemente ale testării s-au schimbat, de exemplu aceeași mașină poate avea alte valori raportate ale consumului de combustibil și ale emisiilor de CO2. Consumurile declarate de combustibil și emisiile de dioxid de carbon sunt măsurate în conformitate cu legislația europeană (fără limită la: Regulamentul (EC) 715/2007 și Regulamentul (EC) 692/2008 așa cum acestea au fost amendate și/sau republicate). Consumul de combustibil și nivelul de emisii de dioxid de carbon sunt specificate pe variante de autovehicule, nu pe un autovehicul singular. Procedura de testare standard aplicată facilitează compararea valorilor mai multor tipuri de autovehicule și a diferitelor producători de autovehicule. Emisiile de CO2 sunt influențate de anumite opțiuni cu care va echipați autovehiculul (ex. dimensiunile anvelopelor, capacitatea cilindrică a motorului), cu repercusiuni în ceea ce privește, printre altele: nivelul taxelor și impozitelor sau alte elemente similare, calculate în funcție de nivelul emisiilor de dioxid de carbon, – va rugăm să consultați dealerul pentru informații suplimentare înainte de a decide achiziționarea unui produs. Cu privire la directiva europeană numărul 1999/94/EC, suplimentar față de eficiența valorilor de consum, stilul de condus și/sau factorii non tehnici joacă un rol esențial atât în materia consumului de combustibil cât și al emisiilor de dioxid de carbon. Acesta din urmă este determinant în formarea gazelor de seră, principalele elemente care stau la baza încălzirii globale. Va rugăm să consultați ghidul referitor la metode de eficientizare a nivelului consumului și la emisiile de dioxid de carbon, a cărui disponibilitate este asigurată conform legislației aplicabile la punctele de vânzare. De asemenea, pentru informații legale suplimentare va rugăm consultați [www.rarom.ro](http://www.rarom.ro), secțiunea dedicată acestei teme.